

DH-PFA122

Junction Box



Features

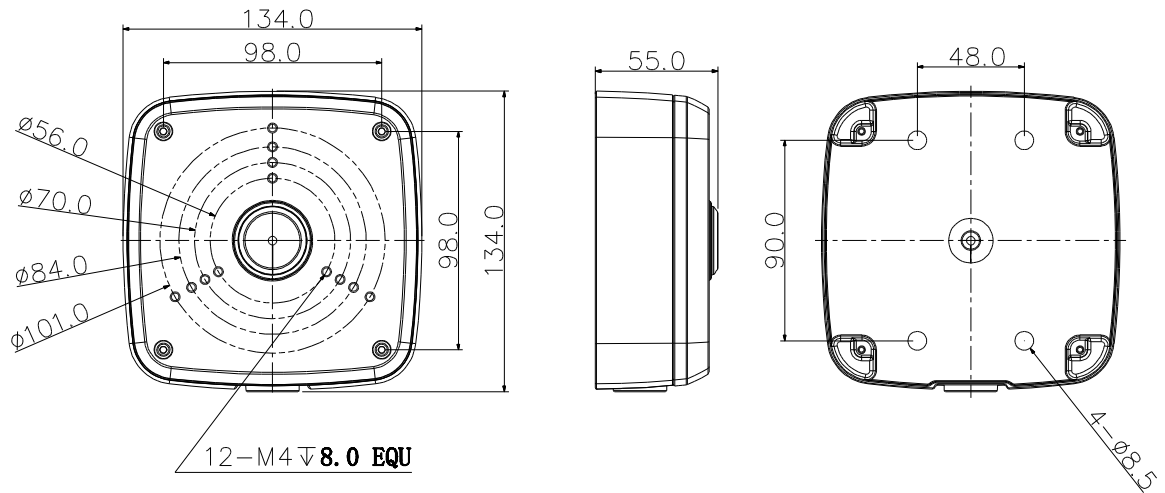
- Material: Aluminum
- Junction Box
- Neat & Integrated design

Specifications

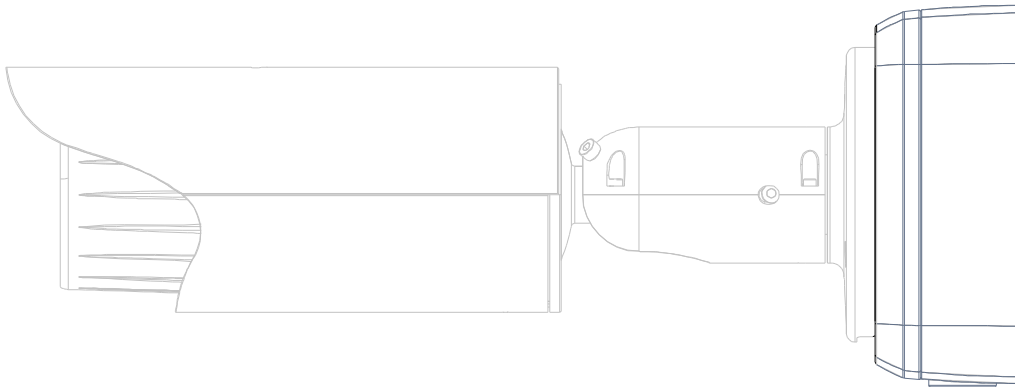
| Model | DH-PFA122 |
|-----------------------|---|
| General | |
| Material | Aluminum |
| Dimension (W x D x H) | 134mm x 134mm x 55mm |
| Pipe Thread | N/A |
| Operating Temperature | -40°C ~60°C |
| Humidity | 0~90% RH |
| Load Bearing | 3Kg |
| Weight | 0.5Kg |
| Applicable Model | CA-FW[G/R], HAC-HFW[S/R], HDC-HFW[C/S], IPC-HFW[C/S/R], CA-DW[E/F/H], IPC-HDW[S], HAC-HDW[S/C] |

DH-PFA122

Dimensions (mm)



Application



Dahua Technology Co., Ltd.

1199 BinAn Road, Binjiang District, Hangzhou, China

Tel: +86-571-87688883

Fax: +86-571-87688815

Email: overseas@dahuatech.com

www.dahuasecurity.com

*Design and specifications are subject to change without notice.

© 2014 Dahua Technology Co., Ltd.