

DH-HAC-HDBW2401R-Z

4Megapixel Vandal-proof WDR IR HDCVI Dome Camera



Features

- 1/3" 4Megapixel CMOS
- 4M, 25/30fps@1080p, 25/30fps@720p
- High speed, long distance real-time transmission
- HD and standard definition dual-output
- OSD Menu, control over coaxial cable
- WDR(120dB), Day/Night(ICR), AWB, AGC, BLC, 3D-DNR
- 2.7~12mm motorized lens
- Max. IR LEDs length 30m, Smart IR
- IP67, IK10, DC12V

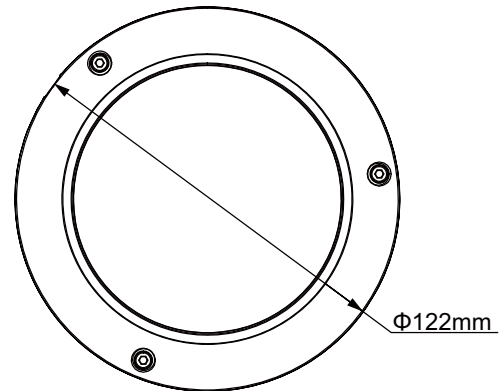
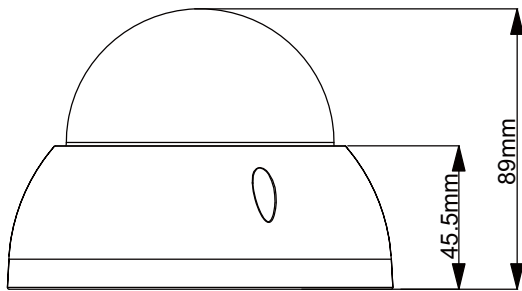
DH-HAC-HDBW2401R-Z

Technical Specifications

Model	DH-HAC- HDBW2401RP-Z	DH-HAC-HDBW2401RN-Z
Camera		
Image Sensor	1/3" 4Megapixel CMOS	
Effective Pixels	2688(H) x 1520(V)	
Electronic Shutter	1/3s~1/300,000s	
Video Frame Rate	4M, 25/30fps@1080p, 25/30fps@720p	
Synchronization	Internal	
Min. Illumination	0.01Lux@F1.3(AGC ON), 0Lux IR on	
Video Output	1-channel BNC HDCVI high definition video output & CVBS standard definition video output	
Camera Features		
Max. IR LEDs Length	30m, Smart IR	
Day/Night	Auto(ICR) / Color / B/W	
Backlight Compensation	120dB True WDR	
Noise Reduction	2D/3D	
OSD Menu	Multi-language	
Lens		
Focal Length	2.7~12mm	
Angle of View	H: 104°~28°	
Lens Type	Motorized / Fixed Iris	
Mount Type	Φ14	
General		
Power Supply	DC12V±25%	
Power Consumption	Max 7.1W	
Working Environment	-30°C~+60°C / Less than 95%RH (no condensation)	
Transmission Distance	Over 500m via 75-3 coaxial cable	
Ingress Protection	IP67 & IK10	
Dimensions	Φ122mm×89mm	
Weight	0.45kg	
Material	Metal	

DH-HAC-HDBW2401R-Z

Dimensions (mm)



Accessories (optional)

		
PFB203W	PFA137	PFA152

Dahua Technology Co., Ltd.

1199 BinAn Road, Binjiang District, Hangzhou, China

Tel: +86-571-87688883

Fax: +86-571-87688815

Email: overseas@dahuatech.com

www.dahuasecurity.com

*Design and specifications are subject to change without notice.

© 2014 Dahua Technology