

DH-HAC-HFW2401R-Z-IRE6

4 Megapixel Water-proof WDR HDCVI IR-Bullet Camera



Features

- 1/3" 4Megapixel CMOS
- 4M, 25/30fps@1080p, 25/30fps@720p
- High speed, long distance real-time transmission
- HD and standard definition dual-output
- OSD Menu, control over coaxial cable
- WDR(120dB), Day/Night(ICR), AWB, AGC, BLC, 3D-DNR
- 2.7~12mm motorized lens
- Max. IR LEDs length 60m, Smart IR
- IP67, DC12V

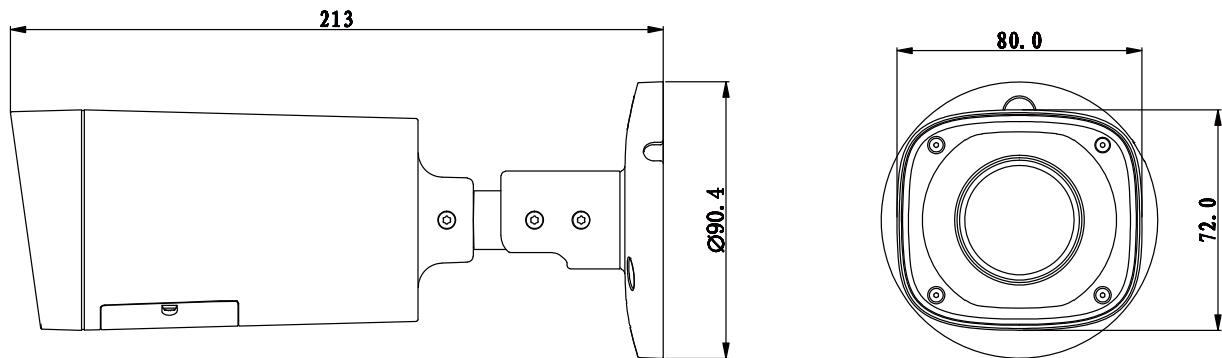
DH-HAC-HFW2401R-Z-IRE6

Technical Specifications

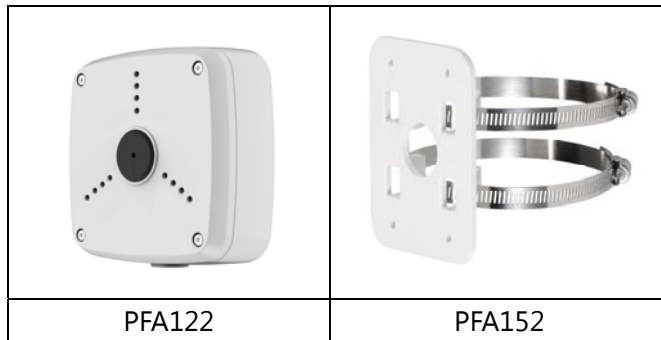
Model	DH-HAC-HFW2401RP-Z-IRE6	DH-HAC-HFW2401RN-Z-IRE6
Camera		
Image Sensor	1/3" 4Megapixel CMOS	
Effective Pixels	2688(H) x 1520(V)	
Electronic Shutter	1/3s~1/300,000s	
Video Frame Rate	4M, 25/30fps@1080p, 25/30fps@720p	
Synchronization	Internal	
Mini. Illumination	0.01Lux@F1.3(AGC ON), 0Lux IR on	
Video Output	1-channel BNC HDCVI high definition video output & CVBS standard definition video output	
Camera Features		
Max. IR LEDs Length	60m, Smart IR	
Day/Night	Auto(ICR) / Color / B/W	
Backlight Compensation	120dB True WDR	
Noise Reduction	2D/3D	
OSD Menu	Multi-language	
Lens		
Focal Length	2.7~12mm	
Angle of View	H:104°~28°	
Lens Type	Motorized / Fixed Iris	
Mount Type	Φ14	
General		
Power Supply	DC12V±25%	
Power Consumption	Max 8.2W	
Working Environment	-30°C~+60°C / Less than 95%RH (no condensation)	
Transmission Distance	Over 500m via 75-3 coaxial cable	
Ingress Protection	IP67	
Dimensions(W×D×H)	213mm×80mm×72mm	
Weight	0.55kg	
Material	Metal	

DH-HAC-HFW2401R-Z-IRE6

Dimensions (mm)



Accessories (optional)



Dahua Technology Co., Ltd.

1199 BinAn Road, Binjiang District, Hangzhou, China

Tel: +86-571-87688883

Fax: +86-571-87688815

Email: overseas@dahuatech.com

www.dahuatech.com

*Design and specifications are subject to change without notice.

© 2014 Dahua Technology Co., Ltd.