

# DH-IPC-HFW5830E-Z

## 8MP IR Bullet Network Camera



- 1/2.5" 8Megapixel progressive scan CMOS
- H.265&H.264 dual-stream encoding
- 15fps@4K(3840×2160),25/30fps@3Mp(2304×1296)
- Day/Night(ICR), 3DNR, AWB, AGC, BLC
- Multiple network monitoring: Web viewer, CMS(DSS/PSS) & DMSS
- 2.7mm ~12mm motorized lens
- Max. IR LEDs Length 50m
- IP67,IK10, PoE



### System Overview

Eco-savvy products by upgrading H.265 encoding technology, bringing high efficient video compression. It saves bandwidth and storage, energy-saving design to enhance the monitoring system. Meanwhile, the series offers features such as starlight, Smart IR technology, intelligent image analysis techniques. It provides excellent image quality and intelligent and efficient event reminders. This series provides IP67 weatherproof and IK10 vandal-proof protection feature. Give customers more value

### Functions

#### 4K technology

4K technology as a revolutionary breakthrough in image, which enhance the expressive image of essence, allowing users to experience the best picture quality brought about by the visual feast. For the purposes of 4K surveillance with four times the 1080P resolution, presented to the user with more details. Under the same scenario by raising the pixels, reduce the camera cost.

#### Intelligent Video System (IVS)

With built-in intelligent video analytics, the camera has the ability to detect and analyze moving objects for improved video surveillance. The camera provides optional standard intelligence at the edge allowing detection of multiple object behaviors such as abandoned or missing objects. IVS also supports Tripwire analytics, allowing the camera to detect when a pre-determined line has been crossed, People Counting, ideal for business intelligence, and Facial Detection, for searching or identification of individuals.

#### Environmental

With a temperature range of -30 °C to +60 °C (-22 °F to +140 °F), the camera is designed for extreme temperature environments. Subjected and certified to rigorous dust and water immersion tests, the IP67 rating makes it suitable for demanding outdoor applications. For environments with rain, sleet, snow and fog, an integrated wiper provides users with clear visibility at all times.

#### Protection

Supporting ±30% input voltage tolerance, this camera suits even the most unstable conditions for outdoor applications. Its 6KV lightning rating provides protection against the camera and its structure from the effects of lightning.

#### Smart H.265+

Deliver high quality video without straining the network, Smart H.265+ is the optimized implementation of H.265. The Smart H.265+ encoding technology includes a scene adaptive encoding strategy, dynamic GOP, dynamic ROI, flexible multi-frame reference structure and intelligent noise reduction, providing saving of up to 70% of bandwidth and storage when compared with standard H.265.

#### HEVC (H.265)

H.265 ITU-T VCEG is a new video coding standard. H.265 Following standard developed around the existing video coding standard H.264, some retain the original technology, while some of the relevant technology to improve the new technology uses advanced technology to improve the relationship between the code stream, encoding quality, and the delay between algorithm complexity, optimize settings specific contents include: Improve compression efficiency, improve the robustness and error recovery capabilities, real-time to reduce the delay, reduce channel acquisition time and a random access delay, reduce complexity, etc

## Technical Specification

### Camera

Image Sensor	1/2.5" 8Megapixel progressive scan CMOS
Effective Pixels	3840(H)x2160(V)
RAM/ROM	512MB/32MB
Scanning System	Progressive
Minimum Illumination	0.05Lux/F1.6 (Color), 0Lux/F1.6(IR on)
S/N Ratio	More than 50dB
IR Distance	Distance up to 50m (164ft)
IR On/Off Control	Auto/ Manual
IR LEDs	4

### Lens

Lens Type	Motorized/ Auto Iris(DC)
Mount Type	Board-in
Focal Length	2.7mm~12mm
Max. Aperture	F1.6
Angle of View	H:102°~39° , V:55°~22°
Optical Zoom	4x
Focus Control	Motorized
Close Focus Distance	0.3m

### Pan/Tilt/Rotation

Pan/Tilt/Rotation Range	Pan:0°~360°; Tilt:0°~90°; Rotation:0°~360°
-------------------------	--

### Intelligence

IVS (optional)	Tripwire, Intrusion, Object Abandoned/Missing
Advanced Intelligent Functions	Face Detection

### Video

Compression	H.265+/H.265/H.264+/H.264
Streaming Capability	3 Streams
Resolution	4K(3840x2160)/6M(3072x2048)/5M(2560x1920)/3M(2048x1536)/3M(2304x1296)/1080P(1920x1080)/1.3M(1280x960)/720P(1280x720)/D1(704x576/704x480)/VGA(640x480)/CIF(352x288/352x240)
Frame Rate	Main Stream: 4K(1~15fps)/3M(1~25/30fps)
	Sub Stream: D1(1~25/30fps)
	Third Stream: 720P(1~25/30fps)
Bit Rate Control	CBR/VBR
Bit Rate	H.264: 24K ~ 10240Kbps H.265: 14K ~ 9984Kbps
Day/Night	Auto(ICR) / Color / B/W
BLC Mode	BLC / HLC / DWDR

White Balance	Auto/Natural/Street Lamp/Outdoor/Manual
Gain Control	Auto/Manual
Noise Reduction	3D DNR
Motion Detetion	Off / On (4 Zone, Rectangle)
Region of Interest	Off / On (4 Zone)
Electronic Image Stabilization (EIS)	N/A
Smart IR	Support
Defog	N/A
Digital Zoom	16x
Flip	0°/90°/180°/270°
Mirror	Off / On
Privacy Masking	Off / On (4 Area, Rectangle)

### Audio

Compression	G.711a/ G.711Mu/ AAC/ G.726
-------------	-----------------------------

### Network

Ethernet	RJ-45 (10/100Base-T)
Protocol	HTTP; HTTPS; TCP; ARP; RTSP; RTP; UDP; SMTP; FTP; DHCP; DNS; DDNS; PPPoE; IPv4/v6; QoS; UPnP;NTP; Bonjour; 802.1x; Multicast; ICMP; IGMP; SNMP
Interoperability	ONVIF, PSIA, CGI
Streaming Method	Unicast / Multicast
Max. User Access	10 Users /20 Users
Edge Storage	NAS Local PC for instant recording Mirco SD card 128GB
Web Viewer	IE, Chrome, Firefox, Safari
Management Software	Smart PSS, DSS, Easy4ip
Smart Phone	IOS, Android

### Certifications

Certifications	CE (EN 60950:2000) UL:UL60950-1 FCC: FCC Part 15 Subpart B
----------------	--

### Interface

Video Interface	N/A
Audio Interface	1/1 channel In/Out
RS485	N/A
Alarm	2/1 channel In/Out

### Electrical

Power Supply	DC12V, PoE (802.3af)(Class 0)
Power Consumption	<11.5W

Environmental

Operating Conditions	-30° C ~ +60° C (-22° F ~ +140° F) / Less than 95% RH
Storage Conditions	-30° C ~ +60° C (-22° F ~ +140° F) / Less than 95% RH
Ingress Protection	IP67
Vandal Resistance	N/A

Construction

Casing	Metal
Dimensions	273.2mm×95.0mm×96.4mm (10.76"×3.74"×3.79")
Net Weight	1.07Kg (2.36lb)
Gross Weight	1.4Kg (3.09lb)

Ordering Information

Type	Part Number	Description
8MP camera	DH-IPC-HFW5830EP-Z	8MP IR Bullet Network Camera, PAL
	DH-IPC-HFW5830EN-Z	8MP IR Bullet Network Camera, NTSC
	IPC-HFW5830EP-Z	8MP IR Bullet Network Camera, PAL
	IPC-HFW5830EN-Z	8MP IR Bullet Network Camera, NTSC
Accessories (optional)	PFA121	Junction box
	PFA152	Pole Mount

Accessories

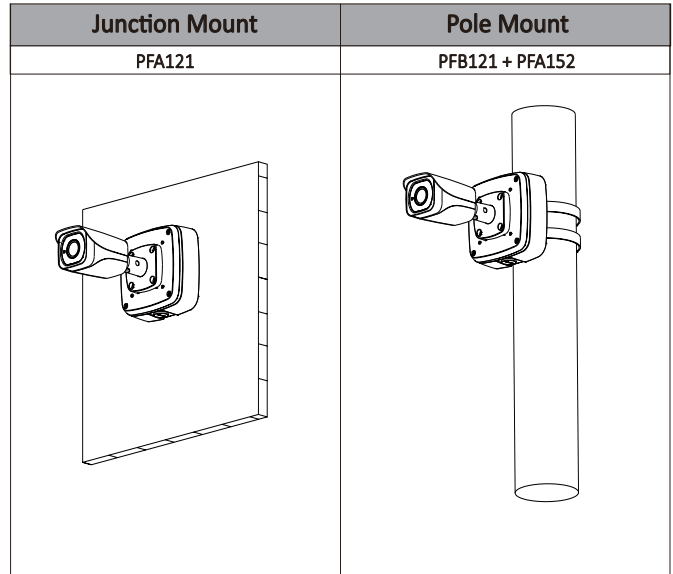
Optional:



PFA121  
Junction box



PFA152  
Pole Mount



Dimensions (mm/inch)

