

## DH-IPC-HUM8101

1.3 Megapixel HD Ultra-smart Network Pinhole Camera



## DH-IPC-HUM8101

---

### Features

- 1/3" 1.3Megapixel progressive scan CMOS
- Max 25/30fps@1.3MP (1280×960)
- Day/Night(Electronic), 3DNR, AWB,AGC,BLC
- Smart detection:
  - Face detection
  - Tripwire detection
  - Intrusion detection
  - Scene change detection
- 3.6mm fixed lens
- Micro SD memory, PoE

# DH-IPC-HUM8101

## Technical Specifications

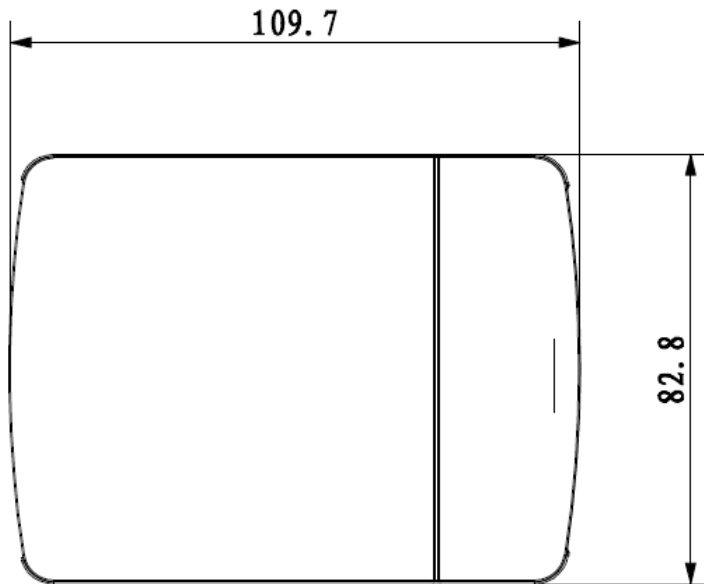
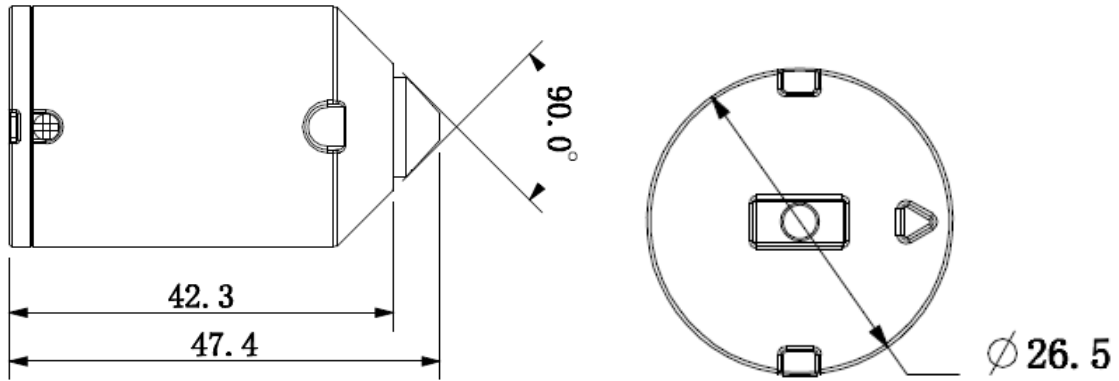
| Model                    |                   | DH-IPC-HUM8101P  | DH-IPC-HUM8101N            |
|--------------------------|-------------------|--|----------------------------|
| <b>Camera</b>            |                   |  |                            |
| Image Sensor             |                   | 1/3" 1.3Megapixel progressive scan CMOS                |                            |
| Effective Pixels         |                   | 1280(H)x960(V)   |                            |
| Scanning System          |                   | Progressive  |                            |
| Electronic Shutter Speed |                   | Auto/Manual, 1/3~1/100000s                             | Auto/Manual, 1/4~1/100000s |
| Min. Illumination        |                   | 0. 01Lux/F2.8 (Color), 0.001Lux/F2.8(B/W)              |                            |
| S/N Ratio                |                   | More than 50dB   |                            |
| Video Output             |                   | N/A  |                            |
| <b>Camera Features</b>   |                   |  |                            |
| Max. IR LEDs Length      |                   | N/A  |                            |
| Day/Night                |                   | Auto(Electronic)/Color/B/W                             |                            |
| Backlight Compensation   |                   | BLC / HLC/WDR(100dB)                                   |                            |
| White Balance            |                   | Auto/Manual  |                            |
| Gain Control             |                   | Auto/Manual  |                            |
| Noise Reduction          |                   | 3D   |                            |
| Privacy Masking          |                   | Up to 4 areas  |                            |
| <b>Lens</b>              |                   |  |                            |
| Focal Length             |                   | 3.6mm  |                            |
| Max Aperture             |                   | F2.8   |                            |
| Focus Control            |                   | Manual   |                            |
| Angle of View            |                   | 77°  |                            |
| Lens Type                |                   | Fixed lens   |                            |
| Mount Type               |                   | Board-in Type  |                            |
| <b>Video</b>             |                   |  |                            |
| Compression              |                   | H.264/MJPEG  |                            |
| Resolution               |                   | 1.3M(1280×960)/720P(1280×720)/D1(704×576)/CIF(352×288) |                            |
| Frame Rate               | Main Stream       | 1.3M/720P(1 ~ 25/30fps)                                |                            |
|                          | Sub Stream        | D1/CIF(1 ~ 25/30fps)                                   |                            |
|                          | Third Stream      | 720P/ D1/CIF(1 ~ 25/30fps)                             |                            |
| Bit Rate                 |                   | H.264: 48K ~ 8192Kbps                                  |                            |
| <b>Audio</b>             |                   |  |                            |
| Compression              |                   | G.711a / G.711u/PCM                                    |                            |
| Interface                |                   | 1/1 channel In/Out                                     |                            |
| <b>Smart Function</b>    |                   |  |                            |
| Smart detection          | Tripwire          |  |                            |
|                          | Intrusion         |  |                            |
|                          | Scene change      |  |                            |
|                          | Missing/Abandoned |  |                            |
|                          | Audio detect      |  |                            |
|                          | Face detect       |  |                            |

## DH-IPC-HUM8101

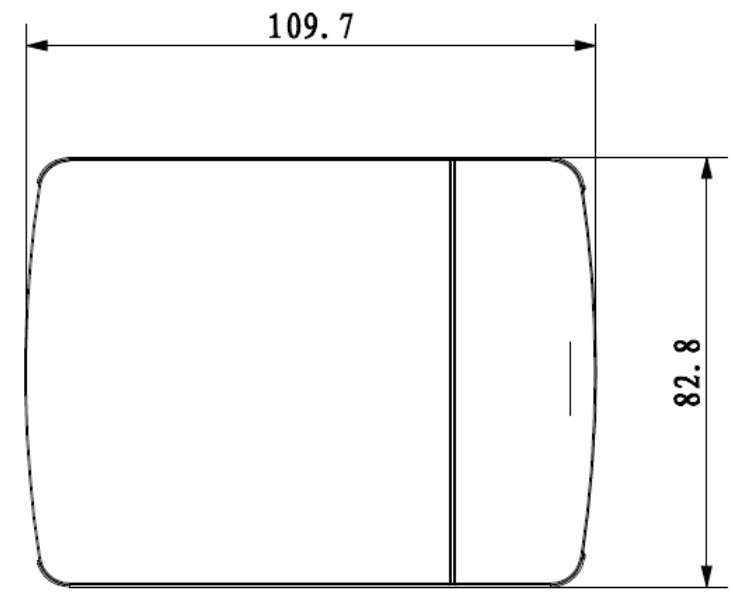
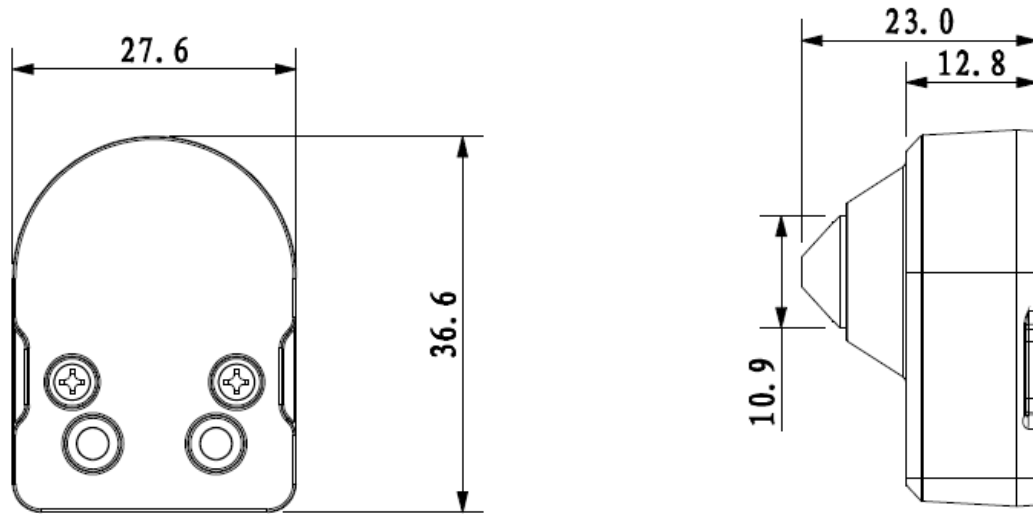
| <b>Network</b>             |  |
|----------------------------|--|
| Ethernet                   | RJ-45 (10/100/1000Base-T)  |
| Wi-Fi                      | N/A  |
| Protocol                   | IPv4/IPv6, HTTP, HTTPS, SSL, TCP/IP, UDP, UPnP, ICMP, IGMP, SNMP, RTSP, RTP, SMTP, NTP, DHCP, DNS, PPPOE, DDNS, FTP, IP Filter, QoS, Bonjour |
| Compatibility              | ONVIF, PSIA, CGI   |
| Max. User Access           | 20 users   |
| Smart Phone                | iPhone, iPad, Android, Windows Phone   |
| <b>Auxiliary Interface</b> |  |
| Memory Slot                | Micro SD, Max 64GB   |
| RS485                      | N/A  |
| Alarm                      | 1/1 channel In/Out   |
| <b>General</b>             |  |
| Power Supply               | DC12V, PoE (802.3af)   |
| Power Consumption          | Max 7W   |
| Working Environment        | -30°C~+60°C, Less than 95% RH  |
| Ingress Protection         | N/A  |
| Dimensions                 | 109.7mm×82.8mm×24.0mm  |
| Weight                     | 0.46Kg   |

# DH-IPC-HUM8101

## Dimensions (mm)



# DH-IPC-HUM8101



## Dahua Technology Co., Ltd.

1199 BinAn Road, Binjiang District, Hangzhou, China

Tel: +86-571-87688883

Fax: +86-571-87688815

Email: [overseas@dahuatech.com](mailto:overseas@dahuatech.com)

[www.dahuatech.com](http://www.dahuatech.com)

\*Design and specifications are subject to change without notice.

© 2014 Dahua Technology Co., Ltd.